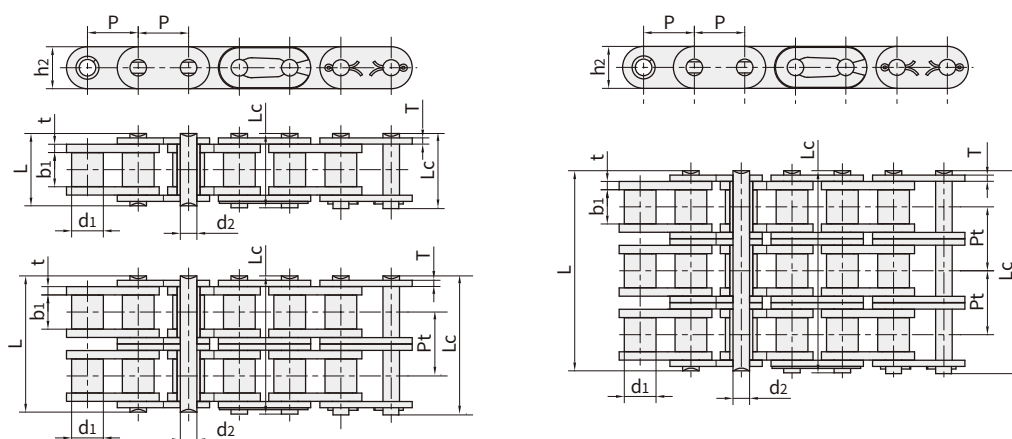


B系列直板滚子链 Roller chain with straight side plates (B series)

B系列直板滚子链 Roller chain with straight side plates (B series)



| 链号 Biosn | 节距 Pitch | 滚子直径 Roller diameter | 内节内宽 Width between inner plates | 销轴直径 Pin diameter | 销轴长度 Pin length | | 内链板高度 Innerplate depth | 链板厚度 Plate thickness | 排距 Transverse pitch | 极限拉伸载荷 Ultimate tensile strength | 平均拉伸载荷 Average tensile strength | 每米长重 Weight per meter |
|-----------------|-------------|-------------------------|------------------------------------|----------------------|--------------------|--------|---------------------------|-------------------------|------------------------|-------------------------------------|------------------------------------|--------------------------|
| Biosn Chain No. | P | d1 max | b1 min | d2 max | L max | Lc max | h2 max | T max | Pt | Q min | Q0 | q |
| | mm | mm | mm | mm | mm | mm | mm | mm | mm | kN/lbf | kN | kg/m |
| C08B-1 | 12.700 | 8.51 | 7.75 | 4.45 | 16.7 | 18.2 | 11.8 | 1.60 | - | 18.0/4091 | 19.5 | 0.80 |
| C10B-1 | 15.875 | 10.16 | 9.65 | 5.08 | 19.5 | 20.9 | 14.7 | 1.70 | - | 22.4/5091 | 27.9 | 1.06 |
| C12B-1 | 19.050 | 12.07 | 11.68 | 5.72 | 22.5 | 25.2 | 16.0 | 1.85 | - | 29.0/6591 | 32.2 | 1.32 |
| C16B-1 | 25.400 | 15.88 | 17.02 | 8.28 | 36.1 | 39.1 | 21.0/24.0 | 4.15/3.1 | - | 60.0/13636 | 72.8 | 3.08/3.49 |
| C20B-1 | 31.750 | 19.05 | 19.56 | 10.19 | 41.3 | 45.0 | 26.4 | 4.5/3.5 | - | 95.0/21591 | 106.7 | 4.16 |
| C24B-1 | 38.100 | 25.40 | 25.40 | 14.63 | 53.4 | 57.8 | 33.2 | 6.0/4.8 | - | 160.0/36364 | 178.0 | 7.47 |
| C28B-1 | 44.450 | 27.94 | 30.99 | 15.90 | 65.1 | 69.5 | 36.7 | 7.5/6.0 | - | 200.0/45455 | 222.0 | 9.90 |
| C32B-1 | 50.800 | 29.21 | 30.99 | 17.81 | 66.0 | 71.0 | 42.0 | 7.0/6.0 | - | 250.0/56818 | 277.5 | 10.45 |
| C08B-2 | 12.700 | 8.51 | 7.75 | 4.45 | 31.2 | 32.2 | 11.8 | 1.60 | 13.92 | 32.0/7273 | 38.7 | 1.45 |
| C10B-2 | 15.875 | 10.16 | 9.65 | 5.08 | 36.1 | 37.5 | 14.7 | 1.70 | 16.59 | 44.5/10114 | 57.8 | 2.00 |
| C12B-2 | 19.050 | 12.07 | 11.68 | 5.72 | 42.0 | 44.7 | 16.0 | 1.85 | 19.46 | 57.8/13136 | 66.1 | 2.62 |
| C16B-2 | 25.400 | 15.88 | 17.02 | 8.28 | 68.0 | 71.0 | 21.0/24.0 | 4.15/3.1 | 31.88 | 106.0/24091 | 133.0 | 6.10/6.92 |
| C20B-2 | 31.750 | 19.05 | 19.56 | 10.19 | 77.8 | 81.5 | 26.4 | 4.5/3.5 | 36.45 | 170.0/38636 | 211.2 | 8.23 |
| C24B-2 | 38.100 | 25.40 | 25.40 | 14.63 | 101.7 | 106.2 | 33.2 | 6.0/4.8 | 48.36 | 280.0/63636 | 319.2 | 14.77 |
| C28B-2 | 44.450 | 27.94 | 30.99 | 15.90 | 124.6 | 129.1 | 36.7 | 7.5/6.0 | 59.56 | 360.0/81818 | 406.8 | 19.82 |
| C32B-2 | 50.800 | 29.21 | 30.99 | 17.81 | 124.6 | 129.6 | 42.0 | 7.0/6.0 | 58.55 | 450.0/102273 | 508.5 | 20.94 |
| C08B-3 | 12.700 | 8.51 | 7.75 | 4.45 | 45.1 | 46.1 | 11.8 | 1.60 | 13.92 | 47.5/10795 | 57.8 | 2.10 |
| C10B-3 | 15.875 | 10.16 | 9.65 | 5.08 | 52.7 | 54.1 | 14.7 | 1.70 | 16.59 | 66.7/15159 | 84.5 | 2.87 |
| C12B-3 | 19.050 | 12.07 | 11.68 | 5.72 | 61.5 | 64.2 | 16.0 | 1.85 | 19.46 | 86.7/19705 | 101.8 | 3.89 |
| C16B-3 | 25.400 | 15.88 | 17.02 | 8.28 | 99.8 | 102.9 | 21.0/24.0 | 4.15/3.1 | 31.88 | 160.0/36364 | 203.7 | 9.12/10.34 |
| C20B-3 | 31.750 | 19.05 | 19.56 | 10.19 | 114.2 | 117.9 | 26.4 | 4.5/3.5 | 36.45 | 250.0/56818 | 290.0 | 11.34 |
| C24B-3 | 38.100 | 25.40 | 25.40 | 14.63 | 150.1 | 154.6 | 33.2 | 6.0/4.8 | 48.36 | 425.0/96591 | 493.0 | 22.10 |
| C28B-3 | 44.450 | 27.94 | 30.99 | 15.90 | 184.2 | 188.7 | 36.7 | 7.5/6.0 | 59.56 | 530.0/120454 | 609.5 | 29.64 |
| C32B-3 | 50.800 | 29.21 | 30.99 | 17.81 | 183.2 | 188.2 | 42.0 | 7.0/6.0 | 58.55 | 670.0/152273 | 770.5 | 31.27 |